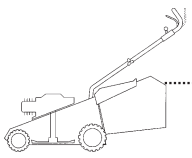
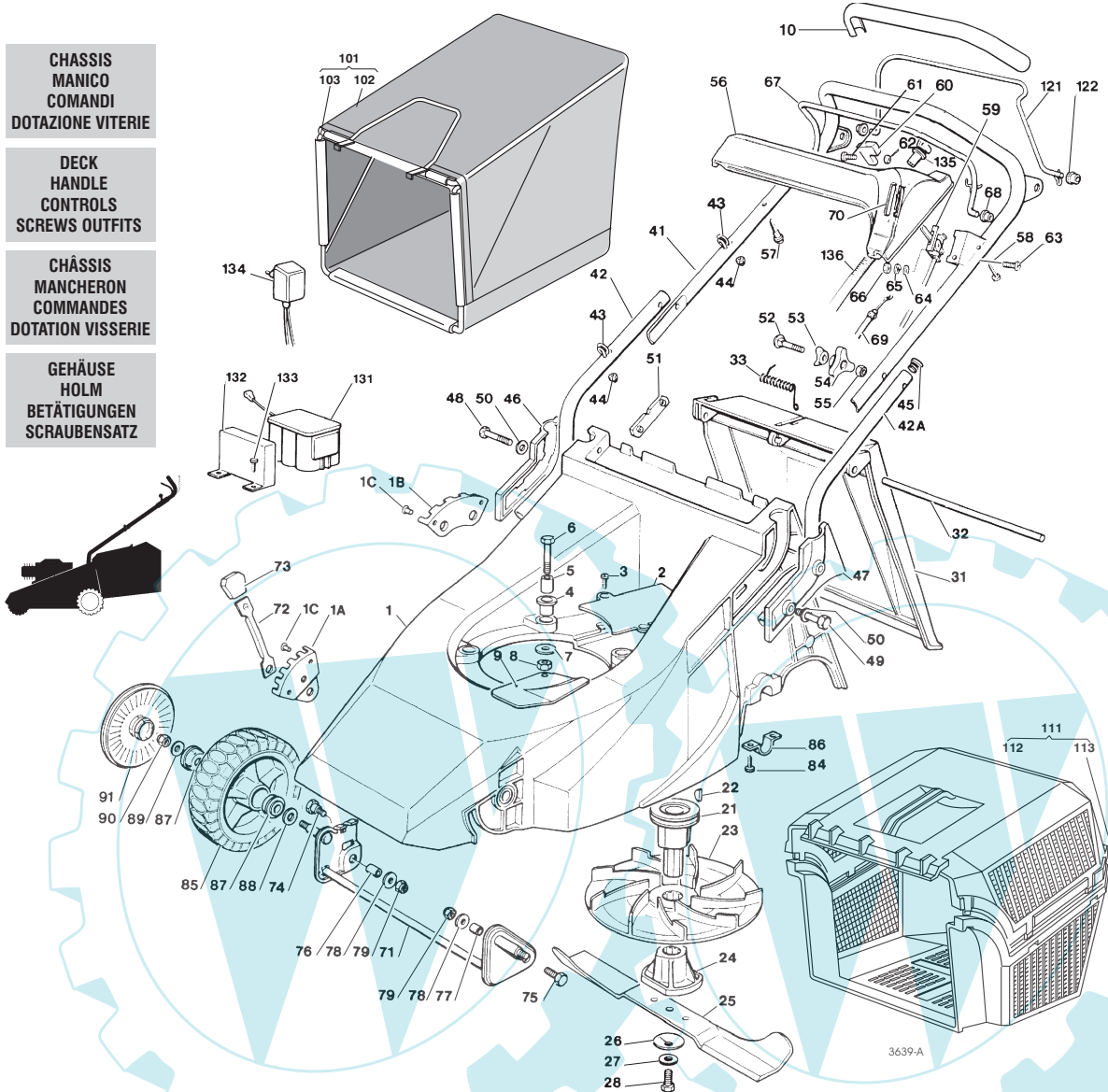


**T 484 TR**

**T 484 TR-E**



- CHASSIS  
MANICO  
COMANDI  
DOTAZIONE VITERIE**
- DECK  
HANDLE  
CONTROLS  
SCREWS OUTFITS**
- CHÂSSIS  
MANCHERON  
COMMANDES  
DOTATION VISSERIE**
- GEHÄUSE  
HOLM  
BETÄTIGUNGEN  
SCRAUBENSATZ**



**SPARE PARTS CATALOGUE**

**ERSATZTEILKATALOG**

**GB**

**D**

**CATALOGO DELLE PARTI  
DI RICAMBIO**

**CATALOGUE DES AELES  
DE RECHANGE**

**I**

**F**

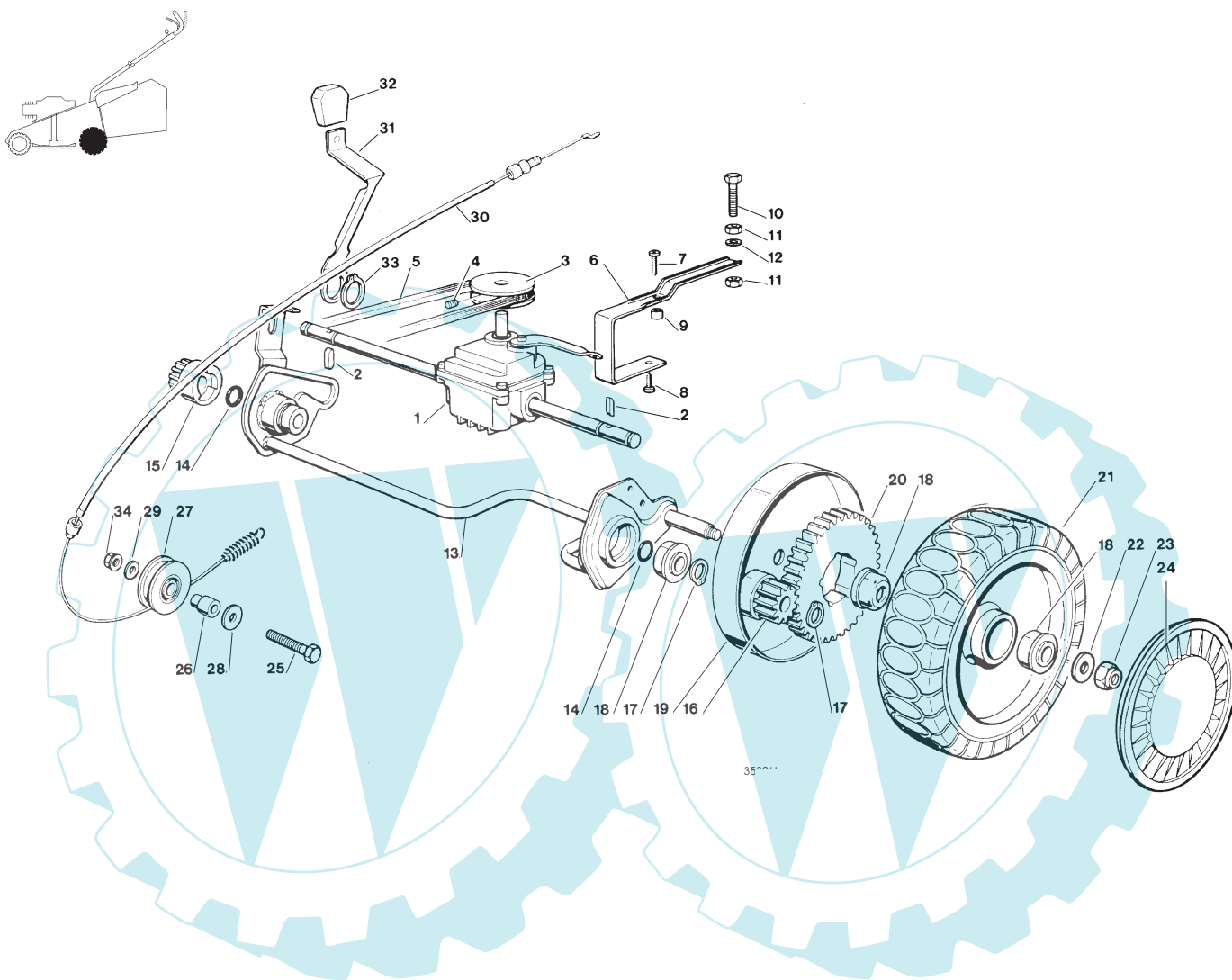
T-3639/ A

Pos. Nr.	Codice Code Kodex	Q.tà Q.ty-Q.tè Menge	Descrizione	Description	Description	Beschreibung
1			CHASSIS	DECK	CHÂSSIS	GEHÄUSE
—	81001416/ 1	1	ROSSO	RED	ROUGE	ROTES
—	81001418/ 1	1	GIALLO	YELLOW	JAUNE	GELBES
—	81001422/ 1	1	VERDE	GREEN	VERT	GRÜNES
1A	22735535/ 0	1	SETTORE REGOLAZIONE	ADJUSTMENT SECTOR	SECTEUR REGLAGE	VERSTELLUNGSEKTOR
1B	22735508/ 0	1	SETTORE REGOLAZIONE	ADJUSTMENT SECTOR	SECTEUR REGLAGE	VERSTELLUNGSEKTOR
1C	12500070/ 0	3	RIVETTO	RIVET	RIVET	NIETE
2	22060172/ 0	1	CARTER CINGHIA	BELT PROTECTION	PROTECTION COURROIRE	RIEMENSCHUTZ
3	12728680/ 0	2	VITE	SCREW	VIS	SCHRAUBE
4	22040265/ 0	3	BUSSOLA	BUSH	DOUILLE	BUCHSE
5	22167840/ 0	3	DISTANZIALE	SPACER	ENTRETOISE	DISTANZRING
6	12691800/ 0	3	VITE	SCREW	VIS	SCHRAUBE
7	12523070/ 0	3	RONDELLA	WASHER	RONDELLE	SCHIBE
8	12155000/ 0	3	DADO	NUT	ECROU	MUTTER
9	22484070/ 0	1	PARACALORE	MUFFLER GUARD	GRILLE DE PROTECTION	SCHUTZABDECKUNG
			IMPUGNATURA MANICO	HANDGRIP	POIGNÉE	HANDGRIFF
10	22291050/ 0	1	NERA	BLACK	NOIRE	SCHWARZER
—	22291051/ 0	1	ROSSA	RED	ROUGE	RÖTER
—	22291052/ 0	1	GIALLA	YELLOW	JAUNE	GELBER
21	22465605/ 0	1	MOZZO GIRANTE	HUB FAN	MOYEU VENTILATEUR	LÄUFENDENABE
22	12139100/ 0	1	LINGUETTA	FEATHER	CLAVETTE	KEIL
23	22245080/ 0	1	GIRANTE	FAN	VENTILATEUR	LÜFTER
24	22465604/ 0	1	MOZZO	HUB	MOYEU	HALTER
25			COLTELLO	BLADE	LAME	MESSER
—	81004397/ 0	1	ALETTATO	WINGED	AILETTÉE	FLÜGEL
—	81004346/ 2	1	STANDARD	STANDARD	STANDARD	STANDARD
26	22160400/ 0	1	DISCO ELASTICO	ELASTIC WASHER	RONDELLE ELASTIQUES	ELASTISCHE SCHEIBE

Pos. Nr.	Codice Code Kodex	Q.tà Q.ty-Q.tè Menge	Descrizione	Description	Description	Beschreibung
27	12523080/0	1	RONDELLA	WASHER	RONDELLE	SCHEIBE
28	12736820/0	1	VITE	SCREW	VIS	SCHRAUBE
31	22600023/2	1	PARASASSI	STONE-GUARD	PARE-PIERRES	PRALLBLECH
32	22517907/0	1	PERNO	PIN	PIVOT	BOLZEN
33	22450270/0	1	MOLLA	SPRING	RESSORT	FEDER
41	81007026/0	1	PORTE SUPERIORE MANICO	UPPER HANDLE	PARTIE SUP. MANCHERON	OBERHOLM
42	81007015/0	1	MANICO INFERIORE DX	RIGHT LOWER HANDLE	PARTIE INF. MANCHERON D.	RECHTER UNTERHOLM
42A	81006917/0	1	MANICO INFERIORE SX	LEFT LOWER HANDLE	PARTIE INF. MANCHERON G.	LINKER UNTERHOLM
43	22430309/0	2	MOLLA GUIDA	SPRING	RESSORT	FEDER
44	12154330/0	2	DADO	NUT	ECROU	MUTTER
45	18566110/0	2	PUNTALE	CAP	BOUCHON	GUMMISTOPFEN
46	22600042/0	1	PROTEZ. MANICO DX	RIGHT HANDLE PROT.	PROT. MANCHERON DROITE	RECHTER HOLMSCHUTZ
47	22600043/0	1	PROTEZ. MANICO SX	LEFT HANDLE PROT.	PROT. MANCHERON GAUCHE	LINKER HOLMSCHUTZ
48	12691400/0	2	VITE	SCREW	VIS	SCHRAUBE
49	12691900/0	2	VITE	SCREW	VIS	SCHRAUBE
50	12521350/0	4	RONDELLA	WASHER	RONDELLE	SCHEIBE
51	22551632/1	2	PIASTRINA FISSAGGIO	PLATE FOR HANDLE	PLAQUETTE FIXAGE	HOLMBEFESTIGUNG
		2	MANICO	FASTENING	MANCHERON	PLÄTTCHEN
52	12819120/0	2	VITE	SCREW	VIS	SCHRAUBE
53	22680006/1	2	ROSETTA	WASHER	RONDELLE	SCHEIBE
54	22399900/0	2	MANOPOLINA	KNOB	POIGNÉE	GRIFF
55	12293200/0		DADO	NUT	ECROU	MUTTER
56			CRUSCOTTO	DASH BOARD	CONSOLE	KONSOLE
—	22120150/0	1	ROSSO	RED	ROUGE	ROTE
—	22120148/0	1	GIALLO	YELLOW	JAUNE	GELBE
—	22120164/0	1	NERO	BLACK	NOIRE	SCHWARZE
57	22943006/0	1	VITE	SCREW	VIS	SCHRAUBE
58	12728460/0	1	VITE	SCREW	VIS	SCHRAUBE
59	81007138/0	1	ASSIEME ACCELERATORE	TROTTLE UNIT ASS.Y	ENS.ACCELERATEUR	BESCHLEUNIGER SATZ
60	22399801/0	1	MANOPOLINA	KNOB	POIGNÉE	GRIFF
61	12726388/0	1	VITE	SCREW	VIS	SCHRAUBE
62	12290800/0	1	DADO	NUT	ECROU	MUTTER
63	12788910/0	2	VITE	SCREW	VIS	SCHRAUBE
64	12523020/0	2	RONDELLA	WASHER	RONDELLE	SCHEIBE
65	12581500/0	2	GROWER	GROWER	GROWER	FEDERRING
66	12291000/0	2	DADO	NUT	ECROU	MUTTER
67	81003291/2	1	ASS. LEVA FRENO MOTORE	BRAKE LEVER ASS.Y	ENS. LEVIER FREIN MOTEUR	MOTORBREMSEHEBEL
68	22041966/0	2	BUSSOLA	BUSH	DOUILLE	BUCHSE
69			ASS. CAVO FRENO MOTORE	THREAD MOTOR ASS.Y	CABLE FREIN MOTEUR	MOTORBREMSEKABEL
—	81000621/1	1	(SPRINT 375/ QUATTRO)	(SPRINT 375/ QUATTRO)	(SPRINT 375/ QUATTRO)	(SPRINT 375/ QUATTRO)
—	81001105/1	1	(QUANTUM XM-ES 40)	(QUANTUM XM-ES 40)	(QUANTUM XM-ES 40)	(QUANTUM XM-ES 40)
—	81000622/2	1	(TECUMSEH)	(TECUMSEH)	(TECUMSEH)	(TECUMSEH)
—	81000639/0	1	(HONDA GCV 135/ 160)	(HONDA GCV 135/ 160)	(HONDA GCV 135/ 160)	(HONDA GCV 135/ 160)
70			ETICHETTA	LABEL	ETIQUETTE	ETIKETTE
—	14356692/0	1	(TECUMSEH)	(TECUMSEH)	(TECUMSEH)	(TECUMSEH)
—	14356693/0	1	(B&S)	(B&S)	(B&S)	(B&S)
71	81001410/0	1	ASSE RUOTE ANT.	FRONT WHEELS AXLE	AXE ROUES AVANT	VORDERRADACHSE
72	22321502/0	1	LEVA REGOLAZIONE	ADJUSTMENT LEVER	LEVIER REGLAGE	VERSTELLUNGHEBEL
73	22400000/1	2	MANOPOLINA	KNOB	POIGNÉE	GRIFF
74	22519510/0	1	PERNO	PIN	PIVOT	BOLZEN
75	12691100/0	1	VITE	SCREW	VIS	SCHRAUBE
76	22170950/0	1	DISTANZIALE DX	RIGHT SPACER	ENTRETOISE DROITE	RECHTER DISTANZRING
77	22170940/0	1	DISTANZIALE SX	LEFT SPACER	ENTRETOISE GAUCHE	LINKER DISTANZRING
78	12523060/0	2	ROSETTA	WASHER	RONDELLE	SCHEIBE
79	12155000/0	2	DADO	NUT	ECROU	MUTTER
84	12735402/0	1	VITE	SCREW	VIS	SCHRAUBE
85	81007317/0	4	RUOTA SCOLPITA Ø 170	KNOBBLY WHEEL Ø 170	ROUE SCULPTEE Ø 170	RAD M. STOLLENPR. Ø 170
86	22545152/0	2	PIASTRINA SX	LEFT PLATE	PLAQUETTE GAUCHE	LINKES PLÄTTCHEN
86A	22545154/0	2	PIASTRINA DX	RIGHT PLATE	PLAQUETTE DROITE	RECHTES PLÄTTCHEN
87	22122200/0	8	CUSCINETTO	BEARING	COUSSINET	KUGELLAGER
88	12530150/0	4	ROSETTA ELASTICA	ELASTIC WASHER	RONDELLE ELASTIQUE	ELASTISCHE SCHEIBE
89	12521350/0	4	ROSETTA	WASHER	RONDELLE	SCHEIBE
90	12155000/0	4	DADO	NUT	ECROU	MUTTER
91			COPRIMOZZO	HUB CAP	COUVRE-MOYEU	RADKAPPE
—	22110282/0	2	BIANCO	WHITE	BLANC	WEIßE
—	22110288/0	2	GIALLO	YELLOW	JAUNE	GELBE
—	22110290/0	2	ROSSO	RED	ROUGE	ROTE
101	96400000/0	2	ASS. SACCO IN TELA	CANVASS GRASSCATCHER ASS.Y	ENSEMBLE SAC EN TOILE	KOMPLETTER SACK
102	81002124/1	1	TELA SACCO	FABRIC BOX	TOILE POUR SAC	TUCK FÜR SACK
103	81006430/0	1	TELAIO	CHASSIS	CHÂSSIS	RAHMEN
111	96500000/0	1	SACCO COMPLETO	COMPLETE GRASS-BOX	SAC COMPLET	KOMPLETTER KORB
112	22486065/0	1	PORTE SUP. SACCO	UPPER GRASS-BOX	PARTIE SUP. SAC	OBERKORB
113	22486064/0	1	PORTE INF. SACCO	LOWER GRASS-BOX	PARTIE INF. SAC	UNTERKORB
121	81003288/1	1	LEVA TRAZIONE	DRIVING LEVER	LEVIER TRACTION	ANTRIEBHEBEL
122	22041965/0	2	BUSSOLA	BUSH	DOUILLE	BUCHSE
131	18120050/0	1	BATTERIA	BATTERY	BATTERIE	BATTERIE
132	22807640/0	1	SUPP. BATTERIA	BATTERY SUPPORT	SUPPORT BATTERIE	BATTERIE HALTER
133	12728680/0	2	VITE	SCREW	VIS	SCHRAUBE
134	18204110/0	1	CARICA BATTERIA	BATTERY CHARGER	CHARGEUR DE BATTERIE	LADGERÄT
135	18450050/0	1	INTERRUTTORE	SWITCH	INTERRUPTEUR	SCHALTER
136	18204190/2	1	CAVO AVVIAMENTO	START CABLE	CABLE DÉMARRAGE	START KABEL
—	81008606/0	1	DOTAZIONE VITERIA	SCREWS OUTFIT	DOTATION VISSERIE	SCHRAUBEN SATZ
—	81008499/1	1	DOTAZIONE CRUSCOTTO	DASH-BOARD OUTFIT	DOTATION CONSOLE	KONSOLE SATZ


Pos. Nr.	Codice Code Kodex	Q.tà Q.ty-Q.tè Menge	Descrizione	Description	Description	Beschreibung
----------	-------------------	----------------------	-------------	-------------	-------------	--------------

- GRUPPO TRAZIONE**
- REAR DRIVE**
- GROUPE TRACTION**
- ANTRIEB**



T-3539/1

1	18652030/1	1	GRUPPO TRAZIONE	GEAR BOX ASSY	GROUPE TRACTION	ANTRIEB
2	22328600/1	2	LINGUETTA TRASCINAMENTO	DRIVING KEY	CLAVETTE	MITNEHMERLAPPEN
3	22601904/0	1	PULEGGIA 4 KM/ H	PULLEY 4 KM/ H	POULIE 4 KM/ H	RIEMENSCHLEIBE 4 KM/ H
4	12645705/0	1	SPINA	PIN	GOUPILLE	STIFT
5	35064100/0	1	CINGHIA Z 30	BELT Z 30	COURROIE Z 30	RIEMEN Z 30
6	22785111/0	1	SUPPORTO GR. TRAZIONE	REAR DRIVE UNIT SUPPORT	SUPPORT GR. TRACTION	ANTRIEBHALTER
7	12728505/0	1	VITE	SCREW	VIS	SCHRAUBE
8	12728630/0	1	VITE	SCREW	VIS	SCHRAUBE
9	22170600/0	1	DISTANZIALE	SPACER	ENTRETOISE	DISTANZRING
10	12793850/0	1	VITE	SCREW	VIS	SCHRAUBE
11	12293200/0	1	DADO	NUT	ECROU	MUTTER
12	12521350/0	1	RONDELLA	WASHER	RONDELLE	SCHEIBE
13	81001412/1	1	ASSE RUOTE POSTERIORE	REAR WHEELS AXLE	AXE ROUES ARRIERE	HINTERRADACHSE
14	12019900/0	2	ANELLO	RING	BAGUE	RING
15	22570110/0	1	PIGNONE DESTRO	RIGHT PINION	PIGNON DROITE	RECHTES RITZEL
16	22570120/0	1	PIGNONE SINISTRO	LEFT PINION	PIGNON GAUCHE	LINKES RITZEL
17	12608600/0	1	SEEGER	SEEGER	SEEGER	SEEGER
18	22122200/0	4	CUSCINETTO	BEARING	ROULEMENT	KUGELLAGER
19	81006846/0	2	PROTEZIONE RUOTE	WHEEL GUARD	PROTECTION ROUE	RÄDERSCHUTZ
20	22120105/1	2	CORONA	RING GEAR	COURONNE	KRANZ
21	81007318/1	2	RUOTA SCOLPITA Ø 210	KNOBBLY WHEEL Ø 210	ROUE SCULPTEE Ø 210	RAD M. STOLLENPR. Ø 210
22	12369500/0	2	RONDELLA	WASHER	RONDELLE	SCHEIBE
23	12155000/0	2	DADO	NUT	ECROU	MUTTER

Pos. Nr.	Codice Code Kodex	Q.tà Q.ty-Q.tè Menge	Descrizione	Description	Description	Beschreibung
24			COPRIMOZZO	HUB CAP	COUVRE-MOYEU	RADKAPPE
—	22110281/0	2	BIANCO	WHITE	BLANC	WEIßE
—	22110287/0	2	GIALLO	YELLOW	JAUNE	GELBE
—	22110289/0	2	ROSSO	RED	ROUGE	ROTE
25	12793800/0	1	VITE	SCREW	VIS	SCHRAUBE
26	22170910/0	1	DISTANZIALE	SPACER	ENTRETOISE	DISTANZRING
27	81003375/0	1	ASS. RUOTINO	BEARING BALL	COUSSINET	KUGELLAGER
28	12523060/0	1	RONDELLA	WASHER	RONDELLE	SCHEIBE
29	12521350/0	1	RONDELLA	WASHER	RONDELLE	SCHEIBE
30	81001094/1	1	ASS. COMANDO TRAZIONE	REAR DRIVE ASS.Y	ENS. COMMANDE TRACTION	ANTRIEBKABEL
31	22321497/0	1	LEVA REGOLAZIONE	ADJUSTMENT LEVER	LEVIER REGLAGE	VERSTELLUNGHEBEL
32	22400000/1	1	MANOPOLINA	KNOB	POIGNÉE	GRIFF
33	12609260/0	1	SEEGER	SEEGER	SEEGER	SEEGER
34	12155000/0	1	DADO	NUT	ECROU	MUTTER

